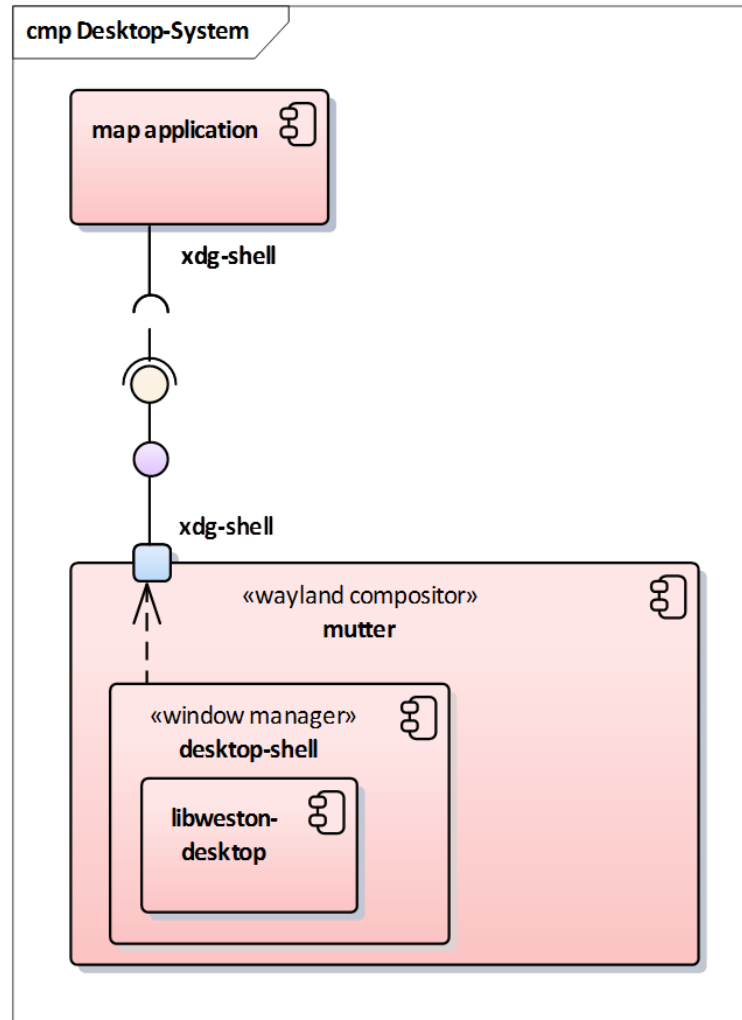


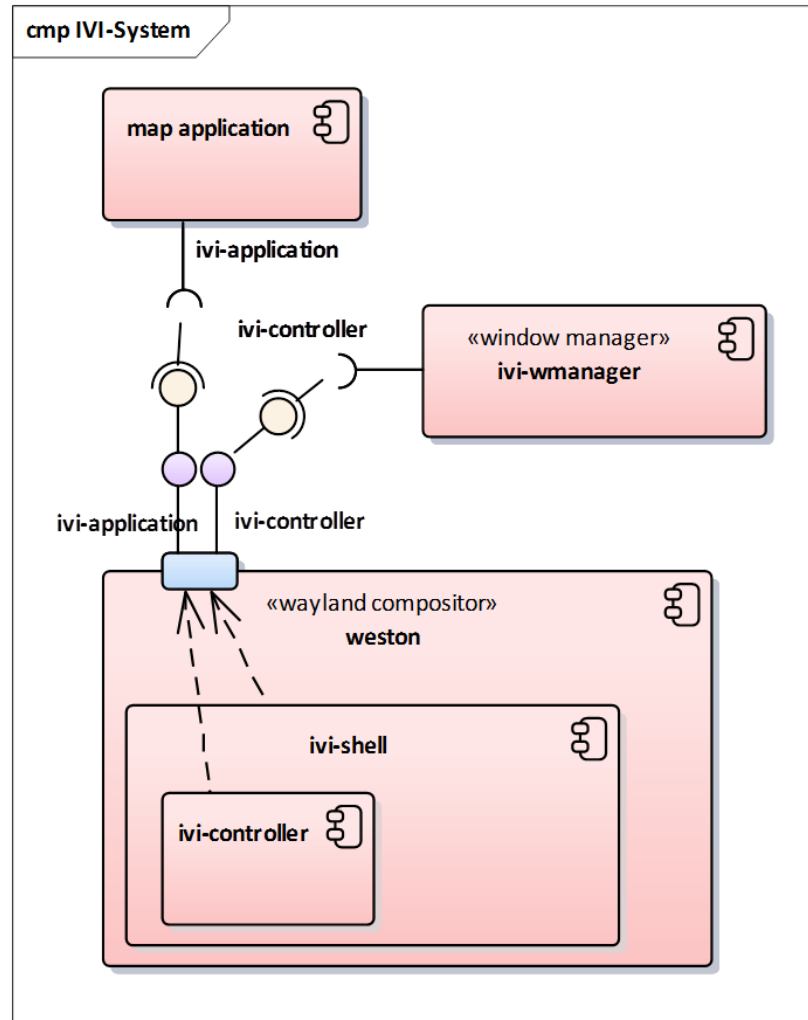
# XDG-Shell Support for IVI-Shell

Michael Teyfel – Graphics Engineer, ADIT

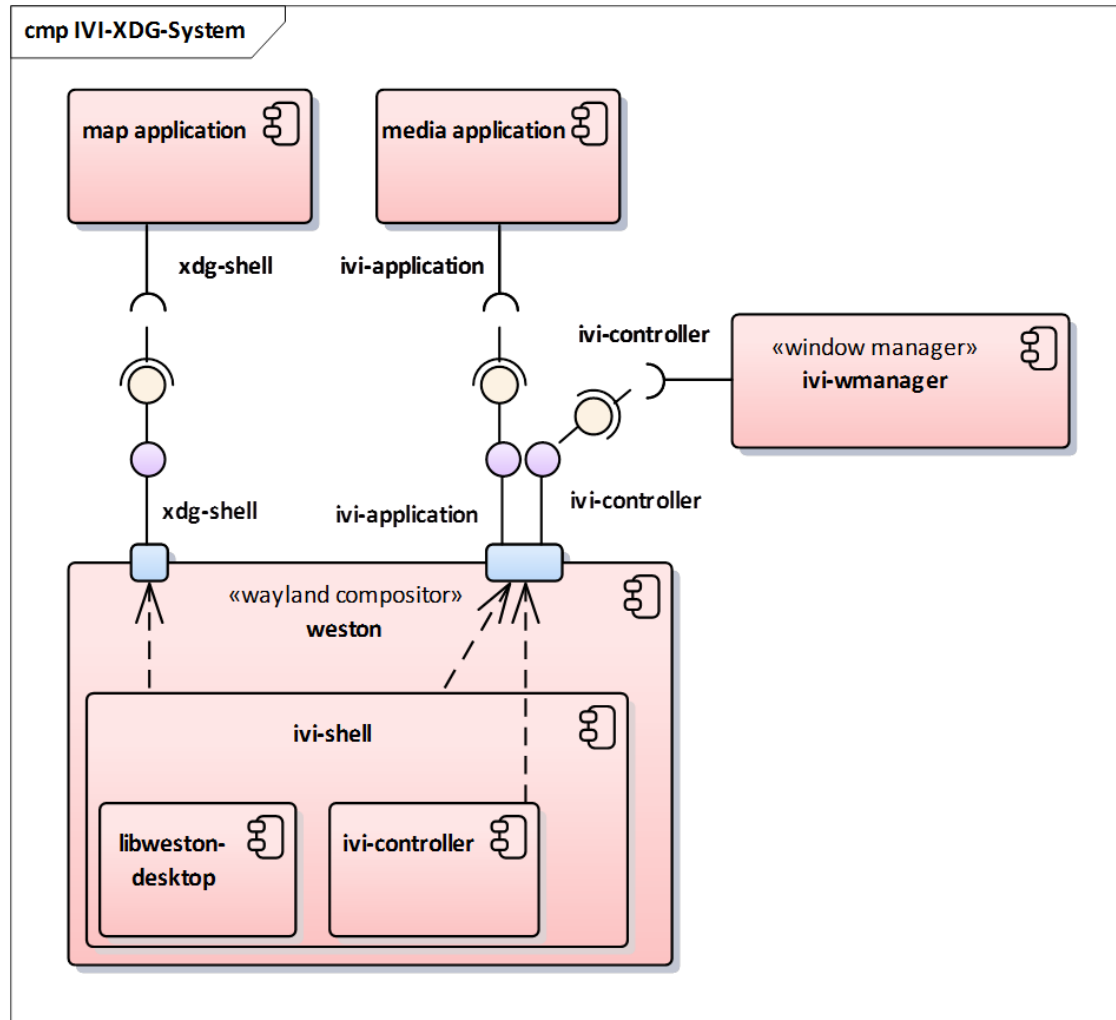
- **xdg-shell is supported by freedesktop.org, which is building a base platform for desktop software**
- **Desktop applications can be run natively on ivi systems**
- **Open source frameworks can be supported out of the box, such as:**







# IVI-Shell with XDG-Shell Support Architecture



## ■ ID generation of xdg-shell applications

- ◆ Talked to GNOME shell team about ID generation in desktop environment
- ◆ Set app ID is not mandatory in xdg-shell protocol

## ■ Default behaviour for xdg-shell applications

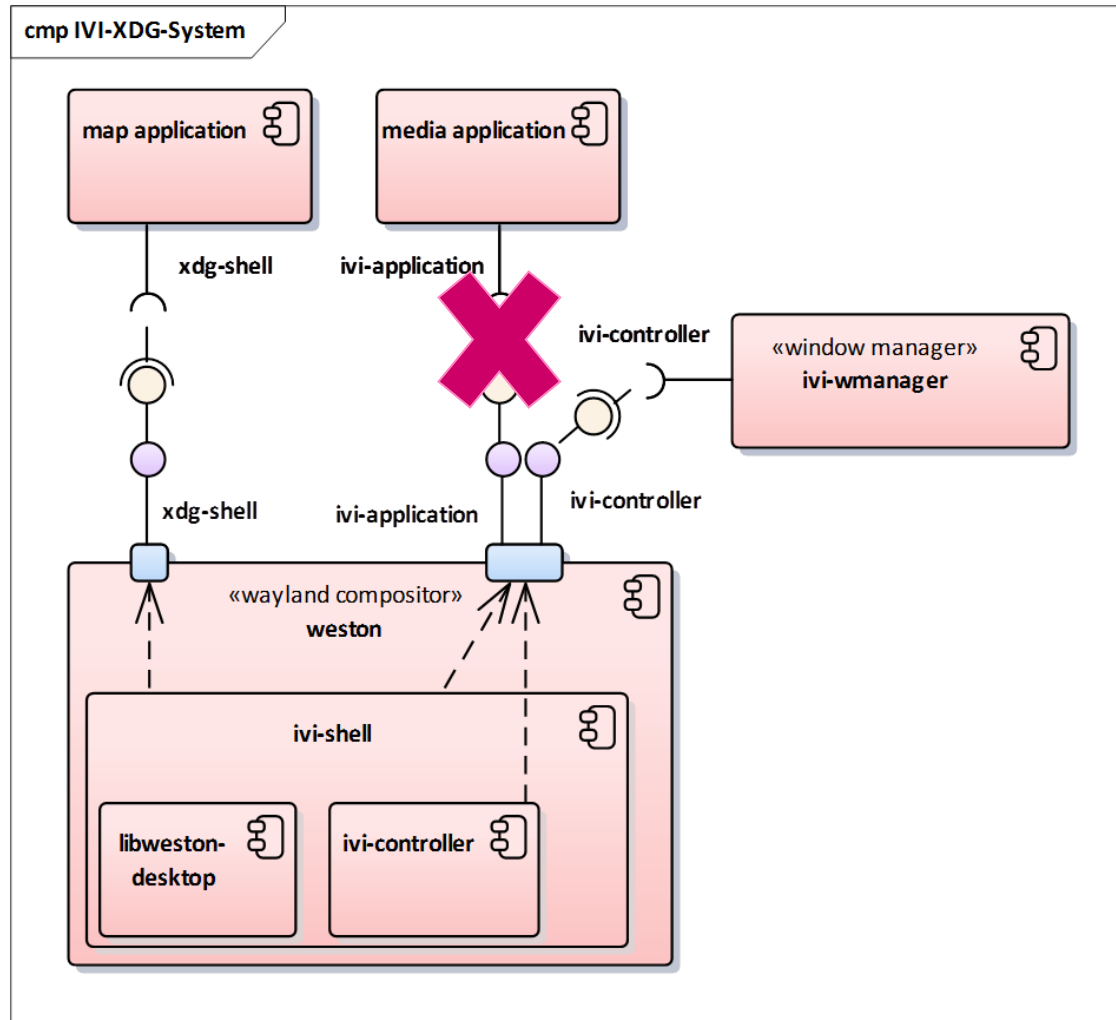
- ◆ E.g. default layer

## ■ Implementation of remaining libweston-desktop api functions

## ■ Should ivi-application protocol be deprecated?

- ◆ It is only used to assign surface IDs to application surfaces
- ◆ Every application has to be modified to include unique IDs
- ◆ IDs are not portable across projects
- ◆ Set app ID is not mandatory in xdg-shell protocol

# Should ivi-application protocol be deprecated?





Please find my PoC on github: <https://github.com/mtey/>

## Steps for deployment:

1. `git clone https://github.com/mtey/weston.git`
2. `git checkout adit_v2.0_devel_xdg_support`
3. `git clone https://github.com/GENIVI/wayland-ivi-extension`
4. use tag 1.13.0 in wayland-ivi-extension

# Thank you for your attention!

Are there any questions?